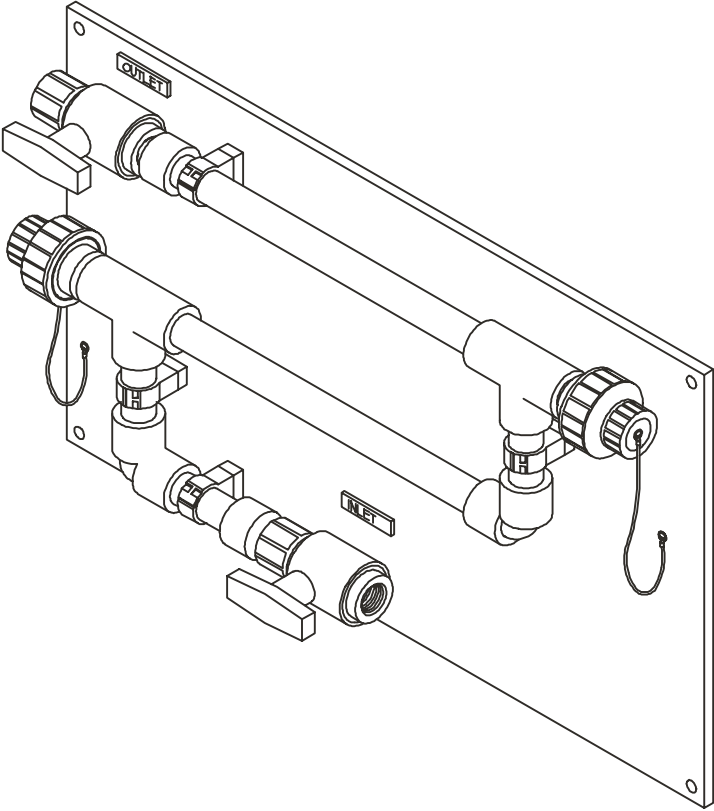


J.L. WINGERT CO.

CORROSION COUPON RACK OPERATION & MAINTENANCE MANUAL



PLEASE RECORD THE FOLLOWING DATA

(Information is located on the product label or packing slip)

Model Number: _____

Date Code: _____

Installation Date: _____

Installation Location / Application: _____

The above information will help when ordering replacement parts and accessories for your Wingert Corrosion Coupon Rack.

MANUFACTURING: Mixers, Bypass Feeders, Filter Feeders, Bromine Feeders, Sample Coolers, Sludge Traps, Separators, Separator Systems, Tank Stands, Tank Package Systems, Glycol Feed Systems, Coupon Racks, Control Stations, NEMA Enclosures, Custom Packaged Systems and Specialty Welding

P.O. Box 6207 • Garden Grove, CA 92846-6207 / 11800 Monarch St. • Garden Grove, CA 92841-2113 • Phone (714) 379-5519 • Fax (714) 379-5549
30998 Huntwood Ave. Unit 105 • Hayward, CA 94544-7033 • Phone (510) 487-5310 • Fax (510) 487-5137 ■ Southwest Region • (602) 470-1015
On the Internet: [http:// www.jlwingert.com](http://www.jlwingert.com) • Email: customerservice@jlwingert.com

CONTENTS:

PAGE

1.0 INTRODUCTION	1
2.0 WARRANTY	1
3.0 UNPACKING	1-2
4.0 LOCATION AND ENVIRONMENT	3
5.0 INSTALLATION	3
6.0 PRESSURE AND TEMPERATURE LIMITATIONS	3
7.0 FLOW RATE	3
8.0 SAMPLE COUPONS	3
9.0 MAINTENANCE	3

1.0 INTRODUCTION

Wingert Corrosion Coupon Racks are designed to closely monitor most water systems' corrosion rate. PVC and CPVC coupon racks come mounted to a 1/4" PVC backboard or steel mounting tracks. Plastic models come standard with uniquely designed quick disconnect coupon holder(s) which require no tools or sealing tapes. Carbon steel and stainless steel models use a plug and rod design coupon holder.

Wingert Corrosion Coupon Racks come standard in PVC, CPVC, carbon steel and 316 stainless steel with one to six coupon holders and isolation valves. Corrosion coupon racks may be installed either vertically or horizontally.

2.0 WARRANTY

Wingert Corrosion Coupon Racks are guaranteed for one year from the date of shipment against manufacturing defects in material and workmanship which develop in the service for which they are designed. We will repair or replace defective material when returned to our factory with transportation prepaid, providing that the material is found to be defective upon inspection. We assume no liability for labor and/or other expenses in making repairs or adjustments. All replacements will be F.O.B. factory.

3.0 UNPACKING:

Wingert Corrosion Coupon Racks are pre-assembled and attached to a backboard or mounting tracks. Unpack and inspect corrosion coupon rack for physical damage. If corrosion coupon rack is damaged and not noted with the freight carrier, contact the factory immediately for assistance.

NOTE: You only have 3-5 days after receipt of goods to file a freight claim.

Verify that what you ordered is what you have received. Use the table on the following page along with the packing slip to identify the contents.

3.0 UNPACKING (CONTINUED)

MODEL NUMBER ON PACKING SLIP			
------------------------------	--	--	--

PCR	-1	-007	/01-02-04
-----	----	------	-----------

OPTIONS	
01	1/4" sample valve and installation tee
03	3/4" Dupont Delrin check valve and nipple
04	3/4" clear PVC Y-strainer and nipple
05	3/4" Sch. 80 Y-strainer and nipple
07	3/4" 1-10 GPM plastic flow indicator
08	3/4" 1-10 GPM plastic adjustable flow indicator
09	3/4" 3 GPM brass flow control valve
10	3/4" 5 GPM brass flow control valve
11	3/4" 3 GPM 316 stainless steel flow control valve
12	3/4" 5 GPM 316 stainless steel flow control valve
13	3/4" 3 GPM PVC flow control valve
14	3/4" 5 GPM PVC flow control valve

NOTE: All above items will be installed after inlet isolation valve and before first coupon holder.

LINE SIZE	
-----------	--

-007	3/4" coupon rack line size
------	----------------------------

NUMBER OF COUPONS	
-------------------	--

-1	One coupon holder
-2	Two coupon holders
-3	Three coupon holders
-4	Four coupon holders
-5	Five coupon holders
-6	Six coupon holders

BASE	
------	--

PCR	PVC corrosion coupon rack
CCR	CPVC corrosion coupon rack
CSCR	Carbon steel corrosion coupon rack
SSCR	316 Stainless steel corrosion coupon rack

4.0 LOCATION AND ENVIRONMENT

Corrosion coupon racks are designed for outdoor applications. PVC and CPVC models should not be exposed to direct sun light. Carbon steel and 316 stainless steel models can be exposed to direct sun light. All excessive application parameters should be checked for maximum temperature, pressure and chemical compatibility.

5.0 INSTALLATION

Install corrosion coupon rack to wall or panel utilizing appropriate hardware. DO NOT over tighten mounting bolt on PVC and CPVC models. Make sure there is ample distance between coupon holder and nearest wall, a minimum of 8-1/2" is required to remove the coupon holders.

Corrosion coupon rack are designed to be mounted either horizontally or vertically. The factory standard setting is horizontal. Be sure to plumb system flow from bottom to top on the corrosion coupon rack.

6.0 PRESSURE AND TEMPERATURE LIMITATIONS

MATERIAL	MAXIMUM SHORT TERM TEMPERATURE	MAXIMUM OPERATING TEMPERATURE	MAXIMUM OPERATING PRESSURE
Polyethylene (PE)	160° F / 69° C	85° F / 36° C	N/A
Polyvinylchloride (PVC)	140° F / 60° C	85° F / 36° C	100 psi / 6.9 Bar
Polypropylene (PP)	180° F / 77° C	85° F / 36° C	N/A
Carbon Steel (CS)	200°F / 93° C	85° F / 36° C	100 psi / 6.9 Bar
Cast Iron (CI)	200° F / 93° C	85° F / 36° C	100 psi / 6.9 Bar
Brass (BR)	200° F / 93° C	85° F / 36° C	100 psi / 6.9 Bar

7.0 FLOW RATE

Flow rate determination is a critical part of installing a corrosion coupon rack. Your water consultant or chemical supplier should be able to help you. If not, contact the factory for assistance.

8.0 SAMPLE COUPONS

Wingert Corrosion Coupon Racks are not supplied with sample coupons. Coupons may be obtained from your local supplier or through your water consultant or chemical supplier. Typically coupon suppliers also provide lab analysis of the corrosion rate.

9.0 MAINTENANCE

BE SURE TO CLOSE THE ISOLATION VALVES SUPPLIED BEFORE DOING ANY MAINTENANCE.

Corrosion coupon racks need very little maintenance. The only maintenance needed is infrequent checking for leaks or cracks that may be created by water hammer or abuse. When ordered, Y-strainers may need servicing depending on system cleanliness.