

INSTALL ONE OF THESE AND THERE'S ONLY ONE MORE THING TO DO. FORGET ALL ABOUT IT.

[HYDRONIC EXPANSION TANKS WITH 100% BUTYL DIAPHRAGMS]

©2010 Flexcon Industries

16-gauge solid steel tank, finished with highest quality urethane paint to stand up to the dampest basement or crawl space.

100% pressure tested and backed with a 5 year limited warranty.

Steel nipple designed to stand up to the dampest basement or crawl space.

Diaphragm is constructed of 100% butyl rubber.



SXHT

HTX

Out of sight, out of mind. FLEX 2 PRO HTX and SXHT series designed for larger heating systems will put you at ease.

Constructed of the highest quality steel, the HTX and SXHT are true work horses. HTX comes standard with a 100% butyl diaphragm. SXHT goes even one step further with our patented CAD-2 diaphragm, offering even lower permeability rates at higher temperatures.

CONTROLLED ACTION DIAPHRAGM MAXIMIZES DRAWDOWN & ELIMINATES CHAFING

Additionally, both tank lines' diaphragms are oversized, which maximizes drawdown and minimizes wear. This design feature virtually eliminates diaphragm stretch, further promoting longevity.

Combination packages including tank, air scoop, and vent for added installer convenience, and Hydronic accessory items including a fill valve, are also available.

So use an HTX or SXHT for your next system installation—and then, forget all about it.

FLEXCON INDUSTRIES
The Reliable Source®

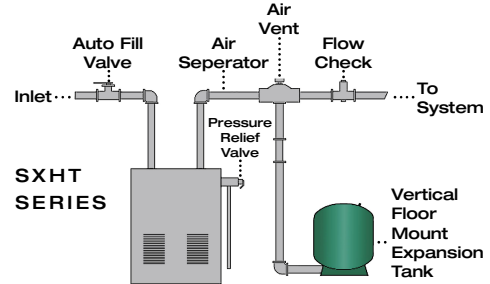
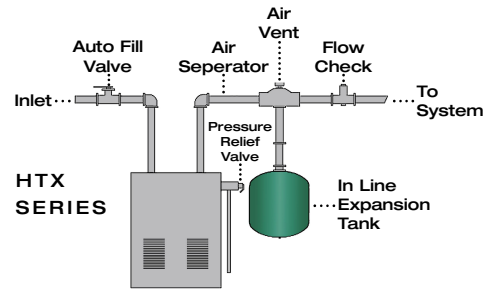


HTX & SXHT SERIES Hydronic Expansion Tanks

MATERIALS OF CONSTRUCTION

- Tank: 16-gauge cold rolled steel
- Finish: Appliance-quality paint for corrosion resistance
- Diaphragm Material: 100% butyl rubber
- Connection: Welded steel
- Testing: High pressure, seam weld, helium, final precharge check
- Air valve: Brass valve with O-ring seal
- Warranty: Five year

TYPICAL INSTALLATIONS

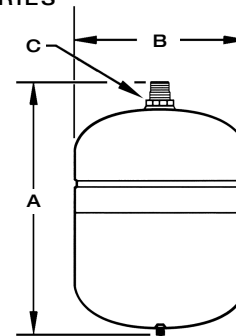


DIMENSIONS & CAPACITIES

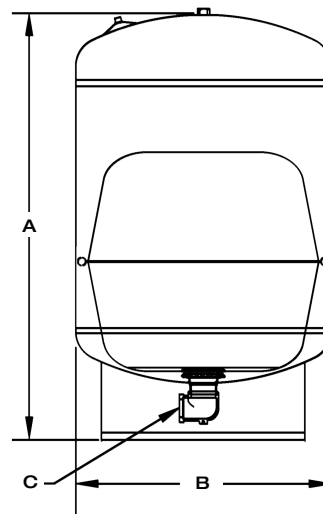
Model	Capacity Gallons	Maximum Acceptance Volume	System Connection	Dimensions		
				Diameter	Height	Weight (lbs)
HTX 15	2.1	1.0	1/2" MNPT	8.0	12.5	5.5
HTX 30	4.5	2.5	1/2" MNPT	11.0	14.0	10.0
HTX 60	6.0	3.0	1/2" MNPT	11.4	17.2	11.5
HTX 90	15.0	6.0	3/4" MNPT	16.0	20.8	28.0
SXHT 30	15.0	6.0	1" FNPT	16.0	21.7	32.0
SXHT 40	20.0	8.0	1" FNPT	16.0	28.8	39.0
SXHT 60	33.0	13.3	1" FNPT	16.0	42.8	57.0
SXHT 90	44.0	17.7	1 1/4" FNPT	21.0	36.2	72.0
SXHT 110	62.0	24.9	1 1/4" FNPT	21.0	47.9	112.0
SXHT160	81.0	32.6	1 1/4" FNPT	21.0	62.0	123.0

Maximum working pressure 100 PSI. Factory pre-charge 12 PSI.
Maximum working temperature 240° F.

HTX SERIES



SXHT SERIES



QUICK SIZING CHART

Boiler Output 1000's BTUH	Finned Tube Baseboard (Copper)	Type of Radiation		
		Convectors & Unit Htrs	Cast Iron	
			Radiators	Baseboard
25	HTX 15	HTX 15	HTX 15	HTX 15
50	HTX 15	HTX 30	HTX 30	HTX 30
75	HTX 30	HTX 30	HTX 60	HTX 60
100	HTX 30	HTX 30	HTX 60	HTX 60
125	HTX 30	HTX 60	HTX 60	HTX 60
150	HTX 30	HTX 60	HTX 90	HTX 90
175	HTX 60	HTX 60	HTX 90	HTX 90
200	HTX 60	HTX 60	HTX 90	HTX 90
250	SXHT 30	SXHT 30	SXHT 40	SXHT 30
300	SXHT 30	SXHT 40	SXHT 40	SXHT 30
350	SXHT 30	SXHT 40	SXHT 60	SXHT 40
400	SXHT 30	SXHT 60	SXHT 90	SXHT 40
500	SXHT 40	SXHT 60	SXHT 90	SXHT 40
600	SXHT 40	SXHT 90	SXHT 90	SXHT 60
700	SXHT 60	SXHT 90	SXHT 90	SXHT 60
800	SXHT 60	SXHT 110	SXHT 110	SXHT 90
900	SXHT 60	SXHT 110	SXHT 110	SXHT 90
1000	SXHT 90	SXHT 110	SXHT 110	SXHT 90

> www.flexconind.com
> 781-986-2424
> 300 Pond Street
> Randolph, MA 02368

FLEXCON
INDUSTRIES
The Reliable Source®